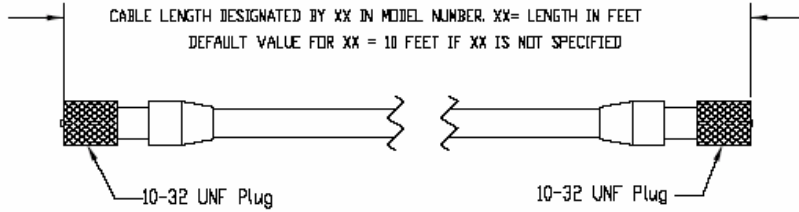
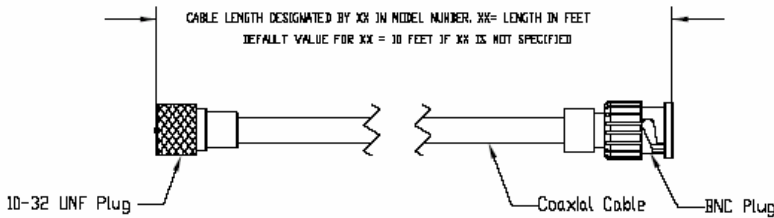


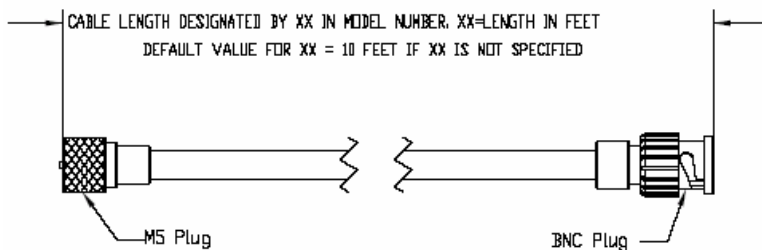
ACCESSORIES - CABLE ASSEMBLIES



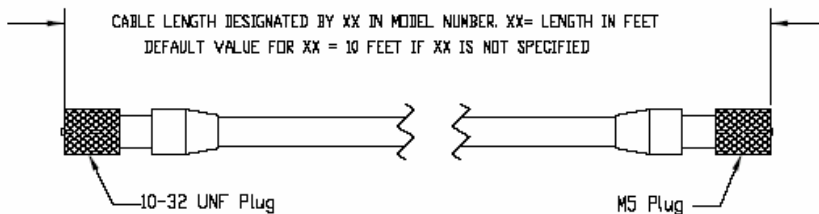
Model 9006LXX Low Noise Cable
XX feet of cable with 10-32 Coaxial Plug on both ends



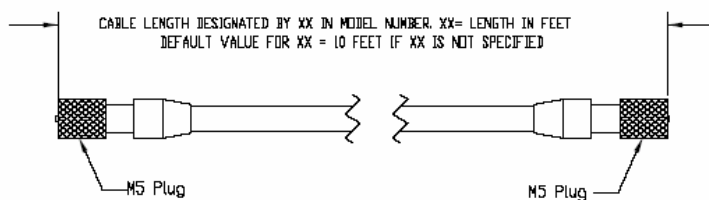
Model 9005LXX Low Noise Cable
XX feet of cable with 10-32 Coaxial Plug on one end and BNC Plug on the other end



Model 9003-XX Low Noise Cable
XX feet of cable with M5 Coaxial Plug on one end and BNC Plug on the other end

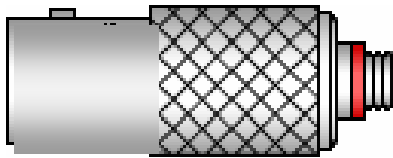


Model 9002LXX Low Noise Cable
XX feet of cable with M5 Coaxial Plug on one end and 10-32 Coaxial Plug on the other end

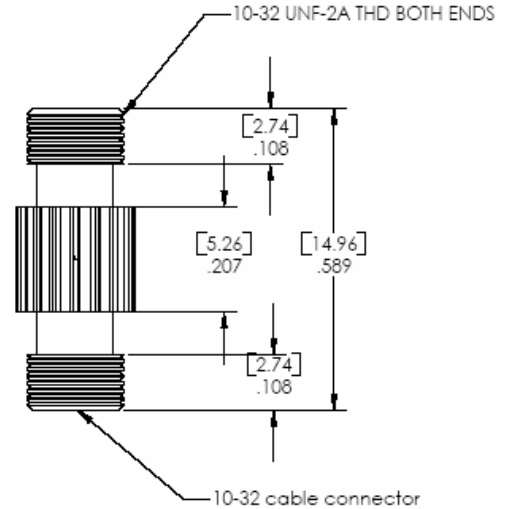


Model 9001LXX Low Noise Cable
XX feet of cable with M5 Coaxial Plug on both ends

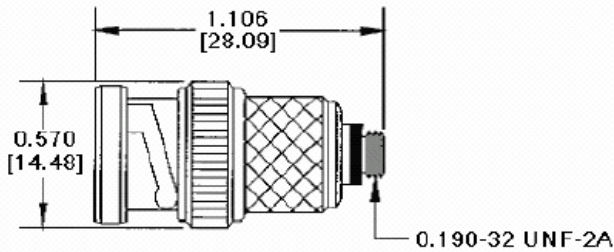
ACCESSORIES - CABLE ADAPTERS



Model 9603 Cable Adapter
BNC Receptacle to 10-32 Coaxial Receptacle



Model 9604 Cable Adapter
Joins two cables each with 10-32 coaxial plug



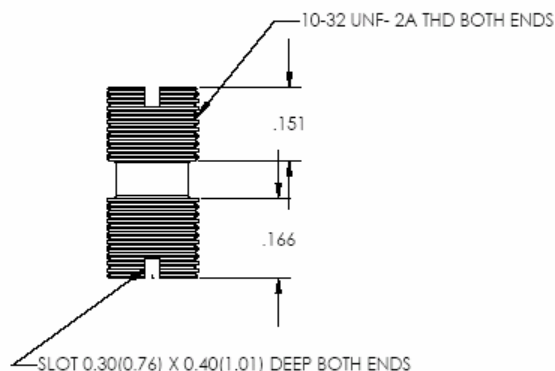
Model 9605 Cable Adapter
BNC Plug to 10-32 Coaxial Receptacle



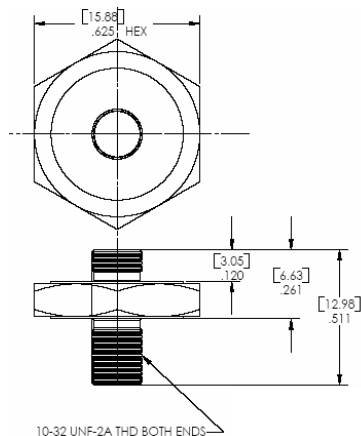
Model 9606 Open Cap
Protective cover for 10-32 coaxial receptacles.

ACCESSORIES - MOUNTING STUDS & SCREWS

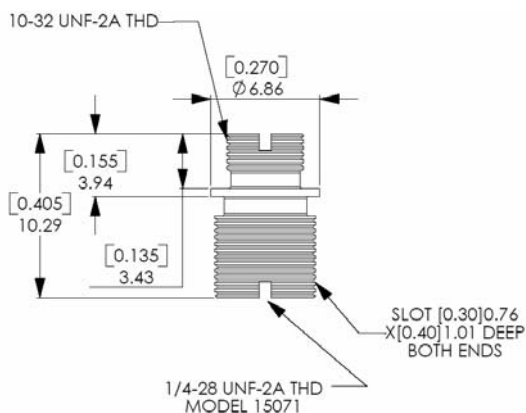
For mounting accelerometers to surfaces and structures



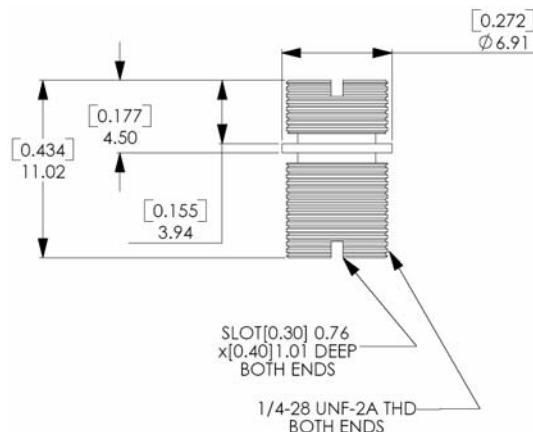
Model 9504-8 Mounting Stud
10-32 threads on both ends



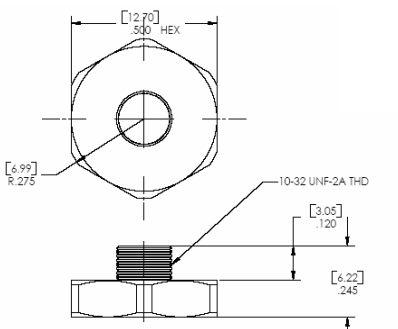
Model 9505-8 Isolated Mounting Stud
10-32 threads on both ends, isolated



Model 9504-9 Mounting Stud
10-32 thread on one end, 1/4-28 thread on the other end

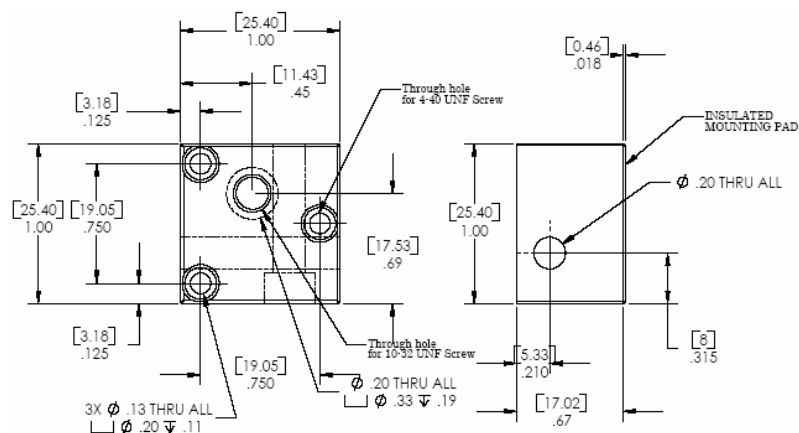


Model 9504-10 Mounting Stud
1/4-28 thread on both ends



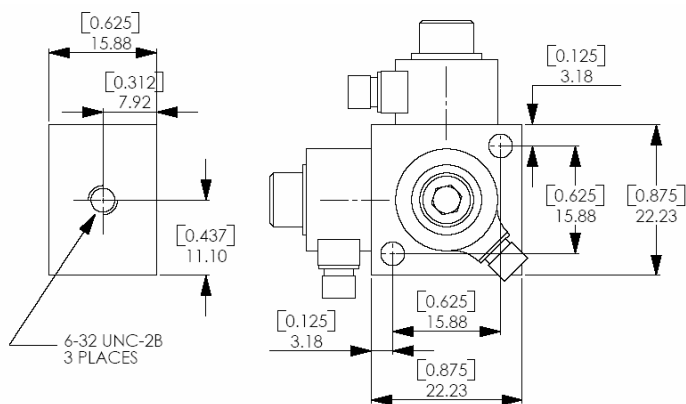
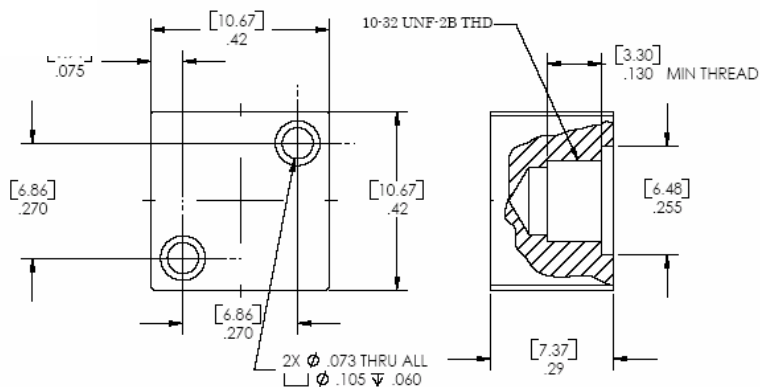
Model 9505-11 Isolated Mounting Stud
10-32 threads on one side, adhesive used on the other side

ACCESSORIES - MOUNTING BLOCKS



Model 9701 Triaxial Mounting Block
For orthogonally mounting three accelerometers, each with 10-32 threads

Model 9702 Triaxial Mounting Block
For orthogonally mounting three adhesive accelerometers, e.g. VIP Model 1011 type



Model 9703 Triaxial Mounting Block
For orthogonally mounting three accelerometers, e.g. VIP Model 1021B type

Model 9704 Triaxial Mounting Block
For orthogonally mounting three accelerometers, e.g. VIP Model 1022A type

